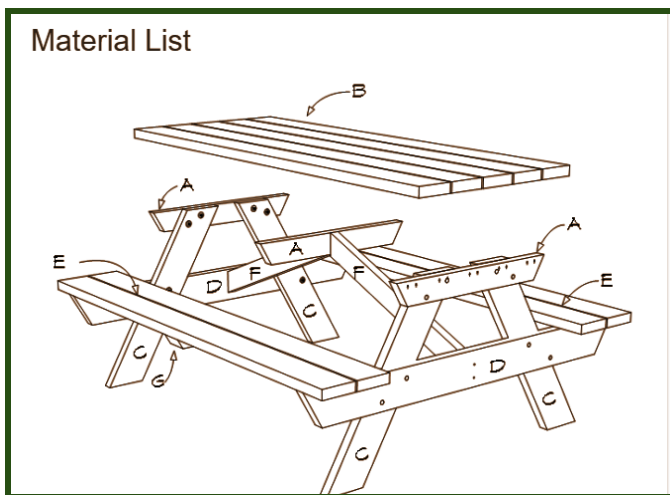


6ft. Picnic Table build Instructions



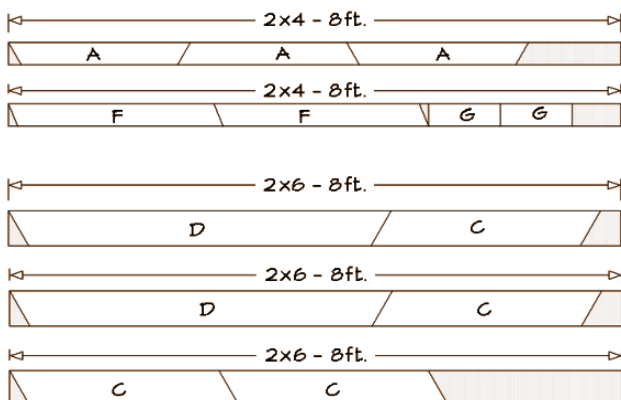
Tools Needed: Screw Bits, Power Drill, Countersink Drill bit, Circular Saw, Miter Saw, Square, Wrenches, Clamps, Tape Measure, Level

Cutting List

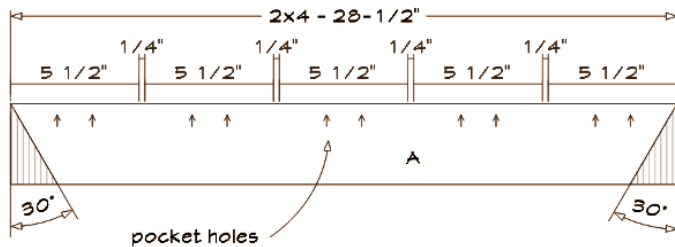
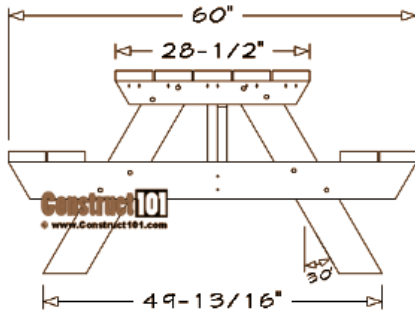
1. (A) Battens-3-2 x 4- 28 ½" (30 degree angle cut on both ends in opposite directions)
2. (B) table top boards-5 - 2 x 6- 72"
3. (C) Legs-4- 2 x 6 - 36" (30 degree angle cut on both ends in the same direction)
4. (D) Seat Supports-2 - 2 x 6- 60" (30 degree angle cuts on both ends in the opposite directions)
5. (E) Seat Boards - 4 - 2 x 6- 72"
6. (F) Table Braces - 2- 2 x 4 - 33 ⅝" (22.5 degree angle cuts on both ends in the same direction)
7. (G) Seat Cleats- 2- 2 x 4- 11 ¼" (22.5 degree bevel cut on both ends in opposite directions)

Materials Needed

- Lumber (2) 2 x 4 x 8s
- Lumber (4) 2 x 6 x 8s
- Lumber (4) 2 x 6 x 12s
- 1 box each Pocket Hole Screws 2 ½"
- 1 box each Deck Screws 2 ½" & 3"
- Carriage Bolts, Washers, nuts 16- 3 ½"
- Exterior Wood Glue

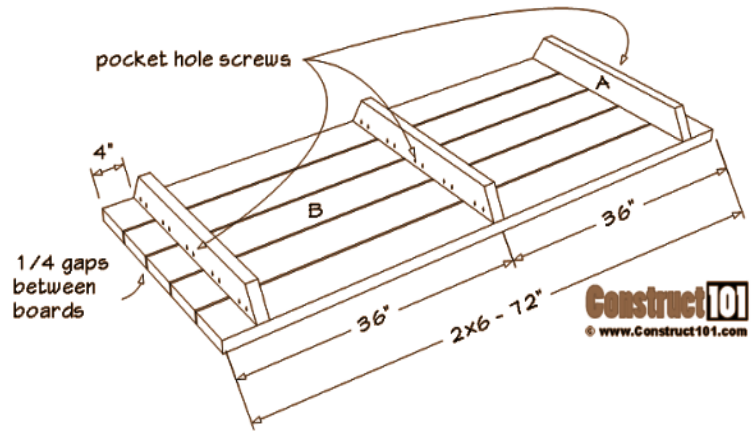


Step 1 Table Top



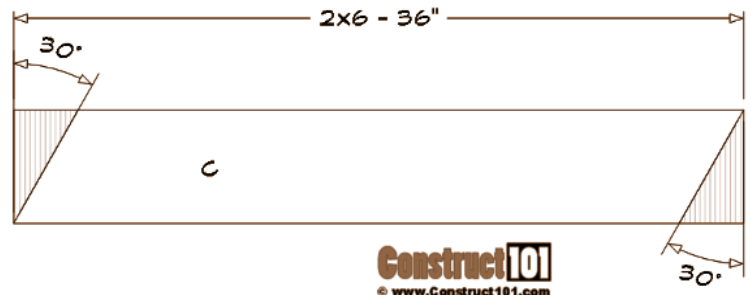
Instructions Step 1:

- A (Battens) -3- 2 x 4- 28 1/2" (30 degree angle Cut on both ends in opposite directions)
- Cut The Battens (A) as shown in the drawing above. Drill pocket holes to the brace (A) to screw into the table top boards (B).



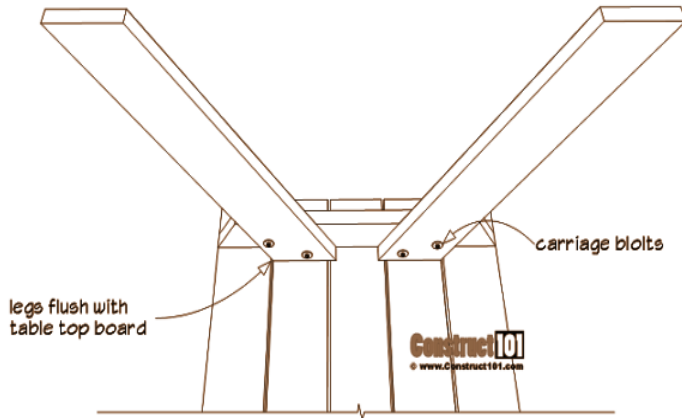
Step 2:

- B (table top boards)--5- 2 x 6- 72"
The table top boards are spaced out 1/4" secure the battens (A) to the table top boards (B) using exterior wood glue and pocket hole screws



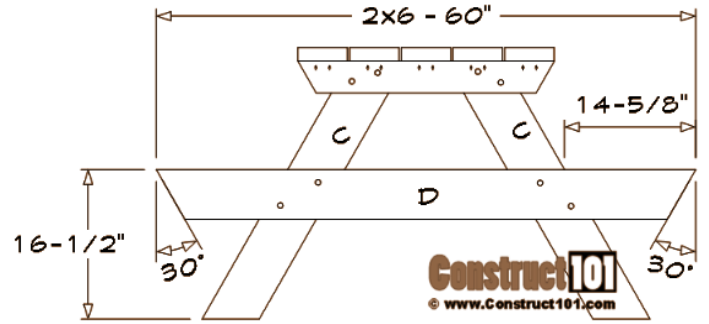
Step 3:

- C (legs)--4 - 2 x 6- 36" (30 degree angle cut on both ends in the same direction)
- Cut the legs as shown on drawing above



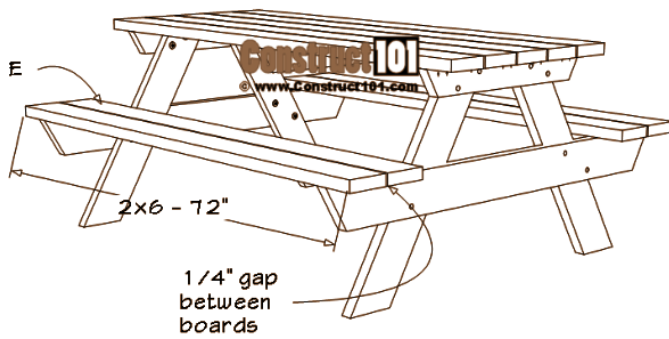
Step 4:

- Install the legs (C) as shown on the drawing above
- Use wood clamps to hold legs in place. Drill holes through the legs (C) and into battens (A).
- Secure using exterior wood glue and carriage bolts, washers, and nuts.



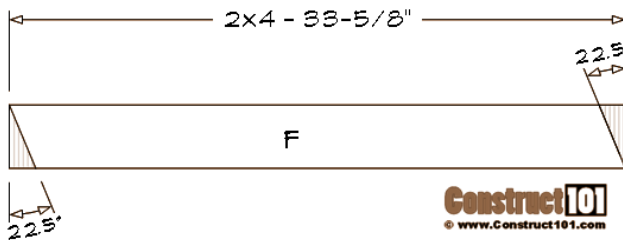
Step 5:

- D (seat supports)-- 2— 2x 6 — 60" (30 degree angle cuts on both ends in the opposite directions)
- Cut the seat supports (D) and assemble as shown on drawing above
- Use wood clamps to hold seat supports (D) in place. Drill holes through the seat supports (D) and into the legs (C)
- Secure using exterior wood glue and carriage bolts, Washers, and nuts



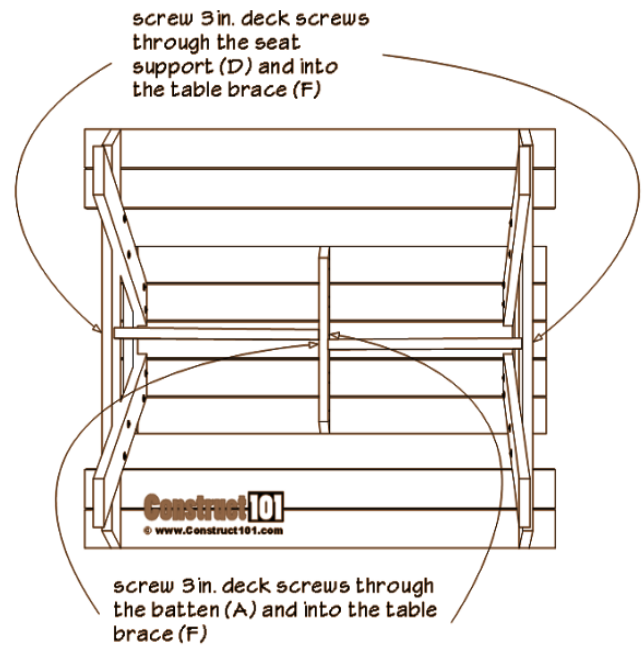
Step 6:

- E (seat boards) - 4— 2 x 6 — 72" install the seat boards (E) as shown on drawing above. Use exterior wood glue and pocket hole screws, screw through the seat supports (D) and into the seat boards (E).



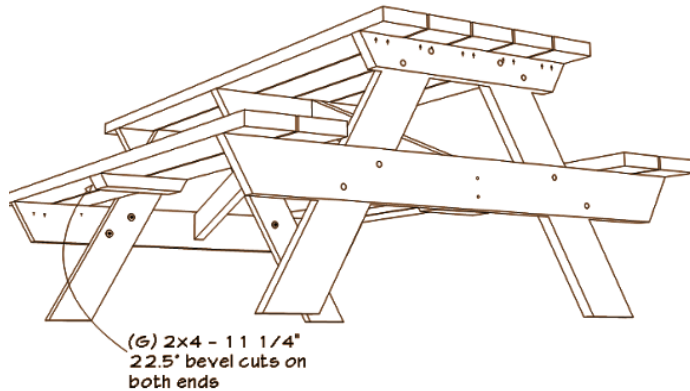
Step 7:

- F (table braces) - 2— 2 x 4— 33 ⁵/₈" (22.5 degree angle cuts on both ends same direction)
- Cut table braces as shown in drawing above.



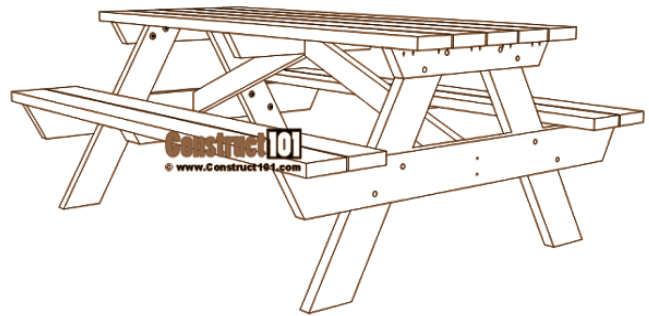
Step 8:

- Pre-drill holes and use exterior wood glue, 3 inch deck screws to install the table braces (F) as shown in the drawing above.



Step 9:

- G (seat cleats) 2- 2 x 4— 11 ¼" (22.5 degree bevel cuts on both sides in opposite directions)
- Cut the seat cleats (G) as shown in drawing above
- Pre drill holes and install using the exterior wood glue and the 2 ½" Deck screws
- Screw through the seat cleat (G) and into the seat boards (E)



Step 10:

- At this step everything should be complete and in place. The last thing to do is sand down the table and stain to protect the wood and maybe add a pop of color.

Word Cited Page

<https://www.construct101.com/6-foot-picnic-table-plans/>

Instructions and plans were obtained from the Hyperlink above (Construct101)